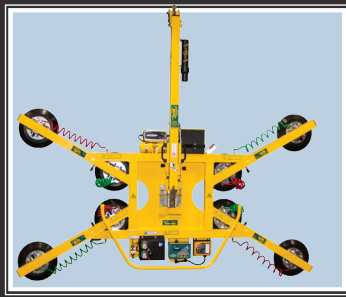


# WOOD'S POWR-GRIP® LOW-PROFILE MANUAL ROTATOR/TILTERS 1100

Employing state-of-the-art technology, *Intelli-Grip™* automatically monitors vacuum and power systems to:

- Maximize productivity
- Help reduce human error
- Simplify maintenance and repairs
- Protect employees and property from harm



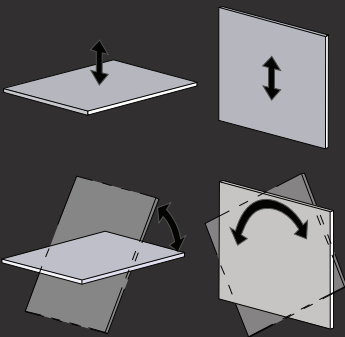
## MRTALP811LDC3

For smooth/flat material  
(Glass)

## MRTALP810TDC3

For textured/irregular  
material (IMPs)

**1100 lbs [500 kg]**



|                                 | MRTALP811LDC3  | MRTALP810TDC3 |
|---------------------------------|--|---------------|
| <b>Intelli-Grip™ Technology</b> | Automatic self-testing ensures lifter is ready for use, every lift. Color display provides critically relevant information at a glance. Anticipates threats and alerts operator beforehand with clearly visible and audible warnings. Smart power management enables lifter to work longer on a single charge. Continuously monitors battery and prevents lifter from attaching to loads if energy is hazardously low. Multiple alarm levels plainly identify the severity of hazards.   |               |
| <b>Maximum Load Capacity*</b>   | <b>1100 lbs [500 kg]</b><br><small>*See Frame Configurations and Capacities</small>  |               |
| <b>Load Movement</b>            | Manual rotation, 180° edgewise, with automatic latching every 30°<br>Assisted manual tilt, 90° between upright and flat, with automatic latching in upright position   |               |
| <b>Standard Features</b>        | Intelli-Grip™ technology<br>Dual vacuum system<br>Adjustable-position lift spool<br>High-capacity battery and charger<br>Battery energy gauge<br>Low vacuum warning buzzer<br>Power loss warning buzzer<br>Green lift light<br>Vacuum gauges<br>Vacuum line filters<br>Vacuum reserve tanks<br>Spring-mounted vacuum pads<br>(Re)movable pad mounts<br>Pad extension arms<br>Blow-off for quick release<br>Two-action, push-button release   |               |
| <b>Dual Vacuum System</b>       | Features two completely independent vacuum circuits. Provides vacuum system redundancy. Limits possibility of a catastrophic failure. Reduces chance of harm to personnel or equipment.  |               |
| <b>Available Options</b>        | Remote control system (59906AM)<br>Pad frame T-arm assemblies (97465 & 97465HV)<br>Vertical lift bar (57353)<br>Long extension arms (95725)<br>Extensions for movable pad mounts (93101 & 93101AM)<br>Alternative vacuum pads (Specifications not as listed above. Please contact us for more information):<br>9" [23 cm] diameter pad (VPFS9)<br>10" [25 cm] diameter concave pad (G0750)<br>Counterbalance Lifter (CB2DCS)<br>Alternative pad compounds, including ones for low-marking, temperature resistant and coated surface applications (special order) |               |



ALWAYS IN MOVEMENT

Erhvervsparken 2  
9500 Hobro  
Danmark  
Tlf. : 0045 98576060

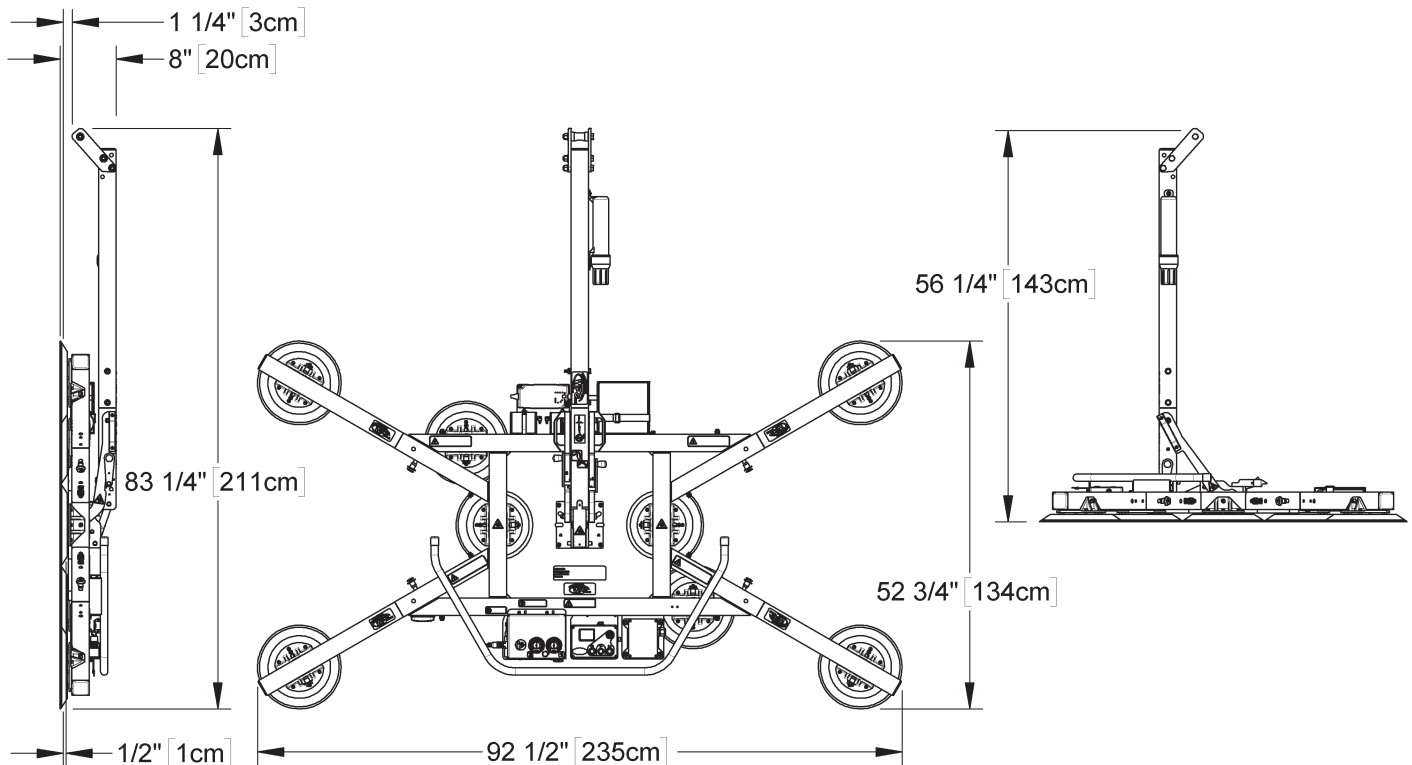
[www.jlmteknik.dk](http://www.jlmteknik.dk)



Wood's Powr-Grip products are sold through authorized dealers.

|                                 | MRTALP811LDC3  | MRTALP810TDC3  |
|---------------------------------|--|--|
| <b>Standard Operating Power</b> | 12 volts DC, 5 amps  |  |
| <b>Profile Thickness</b>        | 8" [20 cm] (does not include load)   |  |
| <b>Lifter Weight</b>            | 220 lbs [100 kg]   |  |
| <b>Standard Pad Spread</b>      | Minimum Width: 17" [43 cm]<br>Maximum Width: 52 <sup>3</sup> / <sub>4</sub> " [134 cm]<br>Minimum Length: 44 <sup>1</sup> / <sub>2</sub> " [113 cm]<br>Maximum Length: 102" [259 cm] | Minimum Width: 16 <sup>3</sup> / <sub>4</sub> " [42 cm]<br>Maximum Width: 52 <sup>1</sup> / <sub>2</sub> " [133 cm]<br>Minimum Length: 44 <sup>1</sup> / <sub>4</sub> " [113 cm]<br>Maximum Length: 101 <sup>3</sup> / <sub>4</sub> " [259 cm] |
| <b>Number / Size of Pads</b>    | 8 / 11" [28 cm] dia. lipped pads (please specify standard or low-marking rubber)   | 8 / 10" [25 cm] dia. pads with replaceable sealing rings (please specify standard or low-marking rubber)   |
| <b>Design Standards</b>         | ASME B30.20 (BTH-1 Design Category "B", Service Class "0")<br>CE<br>AS 4991<br>(See <a href="http://www.WPG.com">www.WPG.com</a> for more information.)                              |  |

Environmental conditions can affect product performance and longevity; consult the product instructions on [WPG.com](http://WPG.com) or contact a Technical Sales Representative for more information. Based on product information at time of publication.



MRTALP811LDC3 shown

# FRAME CONFIGURATIONS AND CAPACITIES

