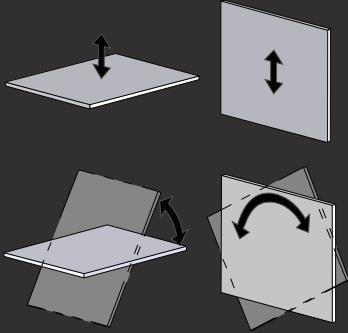


WOOD'S POWR-GRIP® CUSTOM DC-POWERED COUNTERBALANCE LIFTER WITH REMOTE CONTROL



CB2DCS
1600 lbs [725 kg]



(when used with
Wood's Powr-Grip's P1-DC,
P2-DC & MRTALP Series
vacuum lifters)



ALWAYS IN MOVEMENT

Erhvervsparken 2
9500 Hobro
Danmark
Tlf. : 0045 98576060

www.jlmteknik.dk



JLM is a proud dealer of
Wood's Powr-Grip products.

Rev. 0.2 / 03-18 Spec. Sheet **OPT-10**

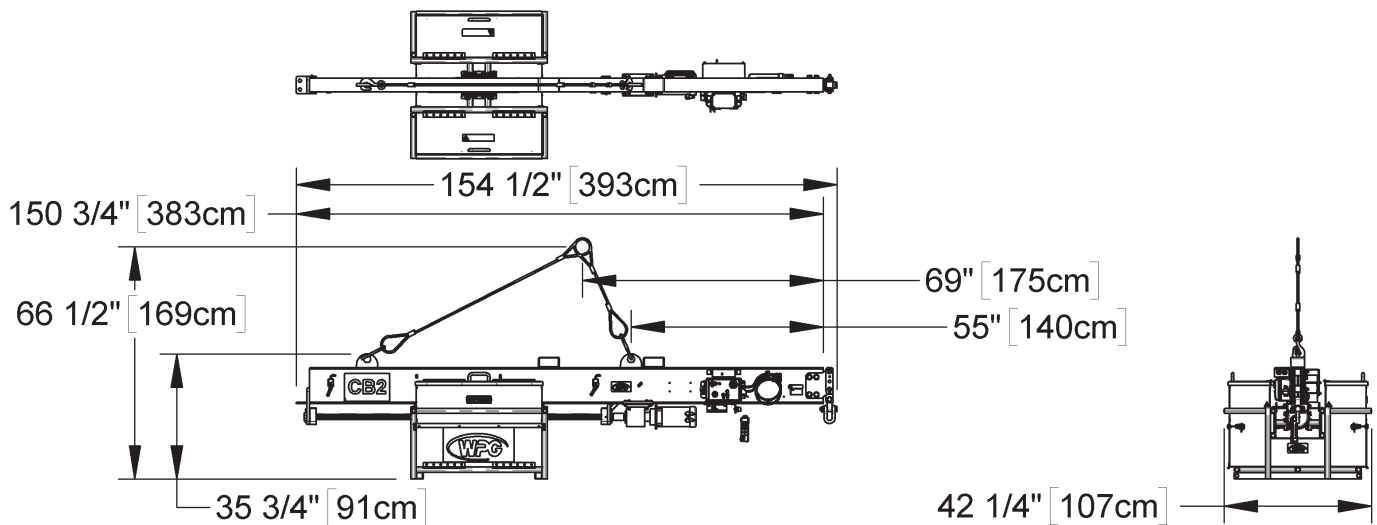
The CB2DCS Counterbalance Lifter is for use with a crane (or other hoisting equipment) to lift and position windows under gables, overhangs and similar obstructions, by extending the load away from lift slings. This lifter's unique design features a DC-powered counterbalance, which moves on demand along a rugged I-beam to keep the lifter balanced, whether loaded or unloaded.

Maximum Load Capacity	1400 lbs [635 kg] (Including weight of optional vacuum lifter)
Reach	Minimum: 55" [140 cm] Maximum: 69" [175 cm]
Overall Length	154½" [393 cm] (Does not include load or optional vacuum lifter)
Lifter Weight	1040 lbs [472 kg] (Does not include user-supplied ballast material)
Standard Operating Power	12 volts DC, 58 amps
Available Options	Available for lease

Features

- **DC-Powered Counterbalance** provides effortless counterweight motion, enabling the operator to keep the lifter balanced at all times.
- **Radio Remote Control** enables the operator to control the counterbalance from distances up to 250 ft [76 m] away, as required for window installations in multi-story structures. Note: When paired with remote controlled Powr-Grip vacuum lifters, also syncs with apply and release controls.
- **Fixed & Universal Hook Mounts** provide customized, stable attachment of specific Powr-Grip vacuum lifters, plus the flexibility to attach virtually any kind of vacuum lifter or end effector.
- **Battery Gauge** with segmented LED's allows the operator to visually assess the current energy level of the battery and instantly determine whether charging is needed.
- **Amber Strobe Light** signals to area personnel that a counterweight adjustment is imminent, in case a reaction is required. Note: When paired with remote controlled Powr-Grip vacuum lifters, also warns that load release is imminent.
- **White Indicator Light** signals when counterweight has reached the forwardmost position, enabling the operator to release the load remotely with minimal lifter movement.

Based on product information at time of publication. Environmental conditions can affect product performance and longevity; consult the product instructions on WPG.com or contact a Technical Sales Representative for more information.



The Counterbalance Lifter comes with radio remote controls, to adjust the counterweight position during multi-story window installations, as well as on-board controls for use on the ground or in a man lift. A specialized fixed mount enables the CB2DCS to be used in conjunction with Powr-Grip's P1-DC, P2-DC and MRTALP Series vacuum lifters, while a universal hook mount accommodates all other kinds of vacuum lifters and end effectors. Powr-Grip's Channel Lifters can also be inverted on the Counterbalance Lifter for reverse-angle installations, such as those in airport control towers. In short, the CB2DCS Counterbalance Lifter represents a dramatic improvement in safety, versatility and functionality over other available designs.

VACUUM LIFTERS

Standard Pad Spread	P11004DC: 49" x 10" [125 x 25 cm] P11104DC3: 51" x 12" [130 x 30 cm] P2110445DC3: 51" x 54¼" [130 x 138 cm] P211047DC3: 51" x 84¼" [130 x 214 cm] MRTALP811LDC3: 52¾" x 92½" [134 x 235 cm] MRTALPCH611LDC: 79¼" x 12" [201 x 31 cm]
Maximum Load Capacity	P11004DC: 600 lbs [270 kg] P11104DC3: 700 lbs [320 kg] P2110445DC3: 1400 lbs [635 kg] P211047DC3: 1400 lbs [635 kg] MRTALP811LDC3: 1100 lbs [500 kg] MRTALPCH611LDC: 1100 lbs [500 kg]
Specification Sheets	P11004DC: 4-1 P11104DC3: 4-6 P2110445DC3: 4-2 P211047DC3: 4-2 MRTALP811LDC3: 8-10 MRTALPCH611LDC: 8-9